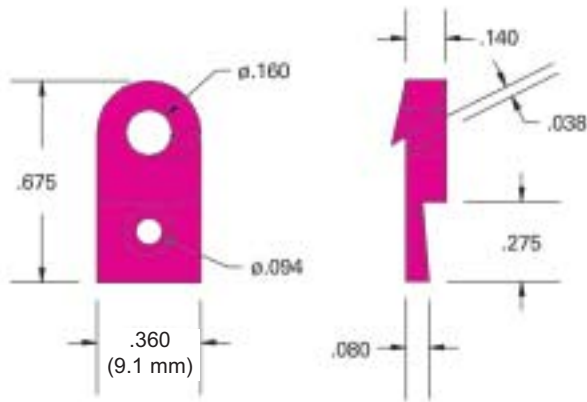


HEANIUM Braider Parts

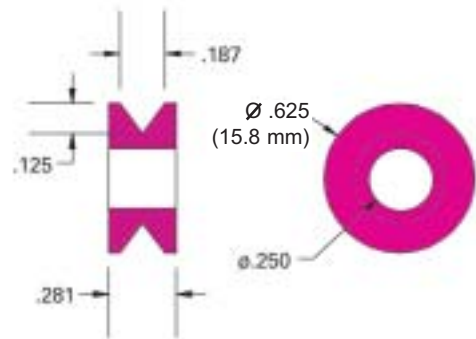
We stock replacement parts for braiding machines. Special polishes on the critical contact surfaces of our Heanium guides offer enhanced protection for sensitive products. Additional standard and custom parts are available. Contact our **technical sales** department for more information.

Standard finish (Ra) on all surfaces is 64 μ in. Polishing to 32 μ in (**P2 Polish**) or 16 μ in (**P1 Polish**) is available.

TWB-2

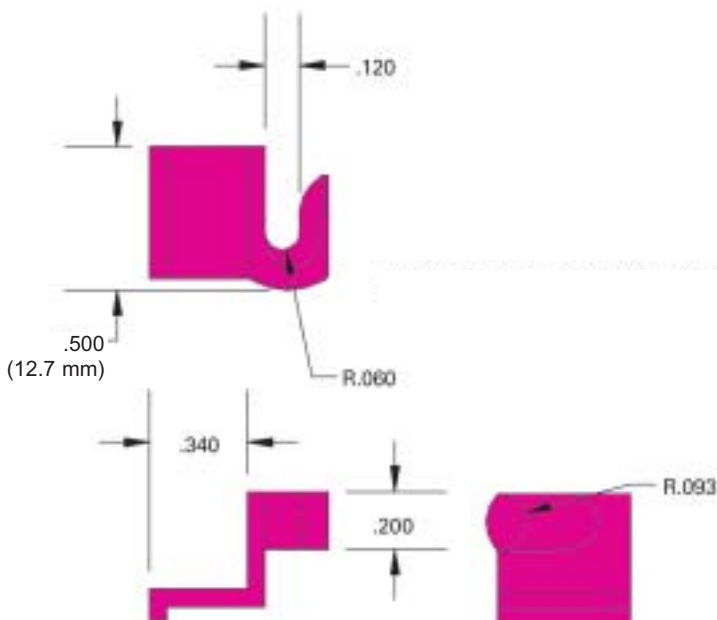


PV-625-X



VARIOUS NYLON INSERTS & BRGS AVAILABLE

HM-2-T



PRMC-1

